



## DEVIreg™ 527

**DEVIreg™ 527** is an electronic 15 Amps on/off time regulator with a 2-pole switch and for flush-mounted fixing. This regulator is best suited for installations in which it is impossible to install or replace a floor sensor.

**DEVIreg™ 527** does not require a sensor and does not regulate according to the temperature, it's a timer with 30 min cycle. The heating intervals (relay ON) can be set on a scale from 0 to 6, which corresponds to 0-100% of the 30 min cycle (100% = 30 min). Each dial position (from 0 to 6) corresponds to 5 minutes.


Furthermore, regulator has a LED indicator showing relay OFF (green light) and relay ON (red light) periods.

### Benefits:

- Double pole safety breaker
- Low standby consumption
- No sensor required

### Standard compliance:

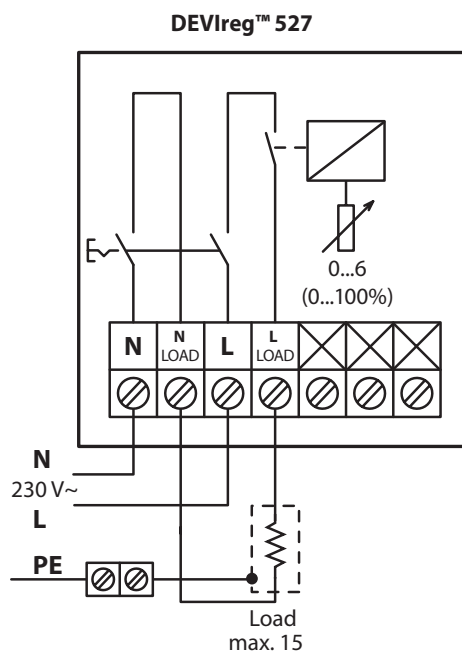
- EN/IEC 60730-1

Type	Value
Operation voltage	220-240 V, 50 Hz
Standby power consumption	Max. 0,25 W
Relay:	
Resistive load	Max. 15 A (3450 W) @ 230 V
Inductive load	Max. 1 A, cos φ= 0,3
Ambient temperature	-10 °C to +30 °C
Cable specification max.	1x4 mm <sup>2</sup> or 2x2,5 mm <sup>2</sup>
Ball pressure test temperature	75 °C
Pollution degree	2 (domestic use)
Controller type	1C
IP class	IP 31
Protection class	Class II - 
Dimensions (H/W/D)	85 x 85 x 36 mm
Weight	90 g

### Types

Item no.	Product name	Type	EAN no.
140F1041	<b>DEVIreg™ 527</b>	ELKO frame, no sensor	5703466209103

### Connection scheme





## DEVIreg™ 130, DEVIreg™ 132



**DEVIreg™ 130/132** is a line of simple electronic 16 Amps thermostats with possibility to be installed directly on the wall. The thermostats have only one button for adjusting the temperature and for OFF mode. Furthermore, it has an LED indicator showing standby (green light) and heating (red light) periods. The thermostats do not have wire sensor failure monitoring. Wire temperature sensor included in the set.

**DEVIreg™ 130** is equipped with a wire (floor) sensor used for control of Comfort Floor Heating applications. The thermostat has a dial for adjusting the temperature setting with a numeric scale from 0, ❄️ to 5 (meaning from OFF, 5 °C to 45 °C and each step corresponds to approx. 9 °C). This type of thermostat can be used for outdoor applications too – Ice and Snow Melting on Ground, Frost Protection on Roofs, Pipe Tracing, etc., because it doesn't have wire sensor failure monitoring.

**DEVIreg™ 132** is equipped with a built-in air sensor to control the room temperature and an additional floor (wire) sensor to limit the maximum floor temperature. The main application is Total (Direct) Heating via Floor systems. The thermostat has a dial for adjusting the room temperature, with a degree scale from 0, ❄️ to 35°C (which means from OFF, 5°C to 35°C). Adjusting maximum floor temperature is provided with potentiometer placed under front cover (default 35°C).

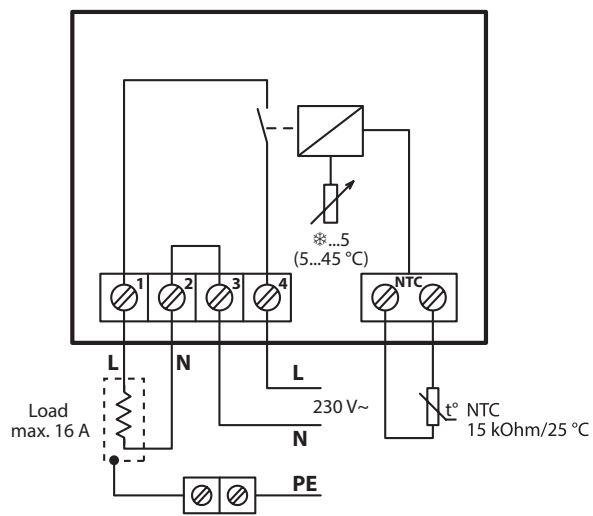
Benefits:	Type	Value
<ul style="list-style-type: none"> <li>• Double pole safety breaker</li> <li>• Sensor failure monitoring</li> <li>• LED indication</li> <li>• Frost protection</li> </ul>	Operation voltage	220 - 240 V, 50/60 Hz
	Standby power consumption	Max. 5 W
	Resistive load	Max 16 A (3680 W) @ 230 V
	Inductive load	Max. 1 A, cos φ = 0,3
	Hysteresis	± 0,2°C
<b>Standard compliance:</b> <ul style="list-style-type: none"> <li>• EN/IEC 60730-1 (general)</li> <li>• EN/IEC 60730-2-9 (thermostat)</li> </ul>	Ambient temperature	-10 °C to +30 °C
	Frost protection	5 °C - ❄️
	Cable specification max	1 x 4 mm <sup>2</sup> or 2 x 2,5 mm <sup>2</sup>
	Ball pressure test temperature	75°C
	Pollution degree	2 (domestic use)
<b>Approvals:</b> 	Controller type	1 C
	Storage temperature	-20 °C to +65 °C
	IP class	IP 30
	Protection class	Class II - 
	Dimensions (H/W/D)	82 x 82 x 36 mm
	Weight	90 g

### Types

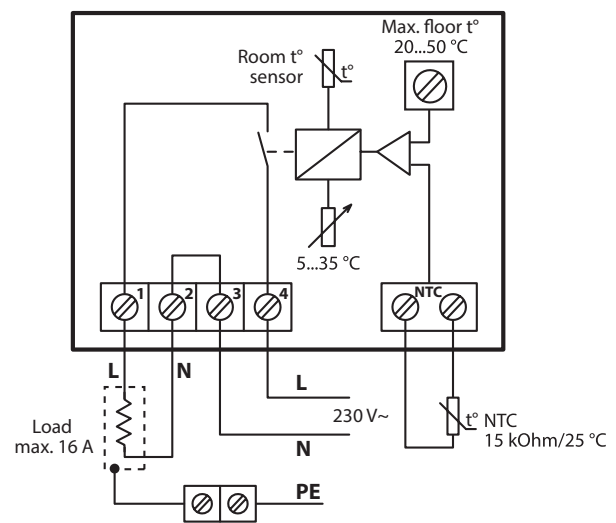
Item no.	Product name	Temp. range	Sensor type	Marking	EAN no.
140F1010	<b>DEVIreg™ 130</b>	5-45 °C	Wire sensor, 3 m, NTC 15 kOhm at 25 °C	D130	5703466208953
140F1011	<b>DEVIreg™ 132</b>	Room: 5-35 °C, max. floor temp.: 20-50 °C (default 35 °C)	Built-in room sensor and wire sensor, 3 m, NTC 15 kOhm at 25 °C	D132	5703466208960

**Connection schemes**

**DEVireg™ 130**



**DEVireg™ 132**





## DEVIreg™ 530, DEVIreg™ 531, DEVIreg™ 532, DEVIreg™ 528, DEVIreg™ 530M

**DEVIreg™ 528/530/530M/531/532** 532 is a line of simple electronic thermostats with a 2-pole switch and for flush-mounted fixing. The thermostats are used to control indoor floor heating systems.

**DEVIreg™ 530** is a 15 Amps thermostat with a wire (floor) sensor, used to control Comfort Floor Heating systems. The thermostat has a dial for adjusting the temperature setting with a numeric scale from ❄️ to 6 (meaning from 5 °C to 45 °C and each step corresponds to approx. 8 °C).

**DEVIreg™ 531** is a 15 Amps thermostat with a built-in air (room) sensor, used to control Direct Floor Heating systems. It has a dial for adjusting the temperature setting with a degree scale from ❄️ to 35 °C (meaning from 5 °C to 35 °C).

**DEVIreg™ 532** is a 15 Amps thermostat with a built-in air (room) sensor to control the room temperature and an additional floor (wire) sensor to limit the maximum floor temperature. The thermostat is used to control Direct Heating via Floor systems with limitation of maximum floor temperature in wooden floors and other heat sensitive floors. It has a dial for adjusting the room temperature, with a degree scale from ❄️ to 35 °C (meaning from 5 °C to 35 °C). Adjusting of the maximum floor temperature is provided by potentiometer placed under front cover (default 35 °C).

**DEVIreg™ 528** is a 10 Amps thermostat with a floor (wire) sensor to measure and control the desired floor temperature. The thermostat has a dial for adjusting the temperature setting with a scale from ❄️ to 6 (from 5 °C to 45 °C).

**DEVIreg™ 530M** is a 15 Amps thermostat with max. floor temperature 35 °C and a 2-pole switch to be installed directly on the wall, using a floor(wire) sensor to measure and control the desired floor temperature (max. 35 °C). The thermostat has a dial for adjusting the temperature setting with a scale from ❄️ to 6 (from 5 °C to 35 °C).

The thermostats have a LED indicator showing standby (green light) and heating (red light) periods. Furthermore, they have a wire sensor failure monitoring - flashing green light - and switch off the heating, if the sensor is disconnected or short-circuited.

### Benefits:


- 2-pole safety breaker
- Low standby consumption
- Sensor failure monitoring
- LED indication for fault
- Frost protection

### Standard compliance:

- EN/IEC 60730-1 (general)
- EN/IEC 60730-2-9 (thermostat)

### Approvals:



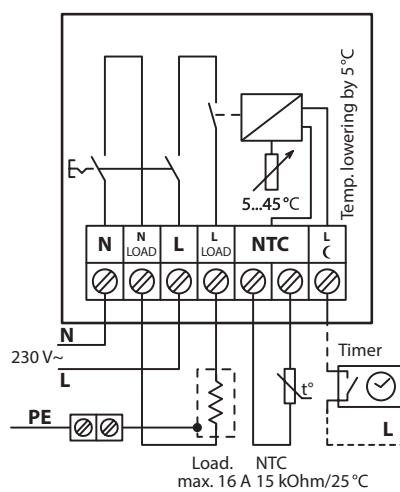
Type	Value
Operation voltage	220 - 240 V, 50/60 Hz
Standby power consumption	Max. 0,25 W
Resistive load: DEVIreg™530/ 531/532/530M DEVIreg™ 528	Max 15 A (3450 W) @ 230 V Max 10 A (2300 W) @ 230 V
Inductive load	Max. 1 A, cos φ = 0,3
Hysteresis	± 0,4 °C
Sensing unit	NTC 15 kOhm at 25 °C
Ambient temperature	-10 °C to +30 °C
Frost protection	5 °C - ❄️
Cable specification max	1 x 4 mm <sup>2</sup> or 2 x 2,5 mm <sup>2</sup>
Ball pressure test temperature	75 °C
Pollution degree	2 (domestic use)
Controller type	1 C
Storage temperature	-20 °C to +65 °C
IP class	IP 31
Protection class	Class II - 
Dimensions (H/W/D)	85 x 85 x 36 mm
Weight	90 g

## Types

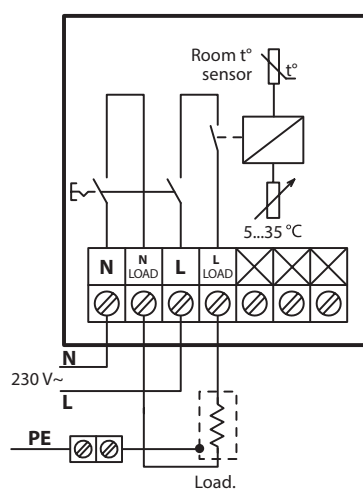
Item no.	Product name	Frame	Temperature range	Sensor type	Marking	EAN no.
140F1030	DEVireg™ 530	ELKO	5-45 °C	Wire sensor, 3 m, NTC 15 kOhm at 25 °C	D530	5703466208991
140F1031	DEVireg™ 530	ELJO	5-45 °C	Wire sensor, 3 m, NTC 15 kOhm at 25 °C	D530	5703466209004
140F1032	DEVireg™ 530	JUSSI	5-45 °C	Wire sensor, 3 m, NTC 15 kOhm at 25 °C	D530	5703466209011
19150352	DEVireg™ 530	10 pcs. pack JUSSI	5-45 °C	Wire sensor, (3 m, NTC 15 kOhm at 25 °C)	D530	5703466152829
19150354	DEVireg™ 530	10 pcs. pack ELKO	5-45 °C	Wire sensor, (3 m, NTC 15 kOhm at 25 °C)	D530	5703466159248
140F1034	DEVireg™ 531	ELKO	5-35 °C	Built-in room sensor	D531	5703466209035
140F1036	DEVireg™ 531	JUSSI	5-35 °C	Built-in room sensor	D531	5703466209059
140F1037	DEVireg™ 532	ELKO	5-35 °C room temperature; 20-50 °C floor temperature limiter (default 35 °C)	Built-in room sensor and wire sensor, (3 m, NTC 15 kOhm at 25 °C)	D532	5703466209066
140F1039	DEVireg™ 532	JUSSI	5-35 °C room temperature; 20-50 °C floor temperature limiter (default 35 °C)	Built-in room sensor and wire sensor, (3 m, NTC 15 kOhm at 25 °C)	D532	5703466209080
140F1042	DEVireg™ 528	JUSSI	5-45 °C	Wire sensor, 3 m, NTC 15 kOhm at 25 °C	D528	5703466208991
140F1043	DEVireg™ 528	ELKO	5-45 °C	Wire sensor, 3 m, NTC 15 kOhm at 25 °C	D528	5703466209004
19150350	DEVireg™ 528	10 pcs. pack JUSSI	5-45 °C	Wire sensor, (3 m, NTC 15 kOhm at 25 °C)	D528	5703466209011
140F1101	DEVireg™ 530M	ELKO	15-35 °C	Wire sensor, 3 m, NTC 15 kOhm at 25 °C	D530M	5703466210406

## Connection schemes

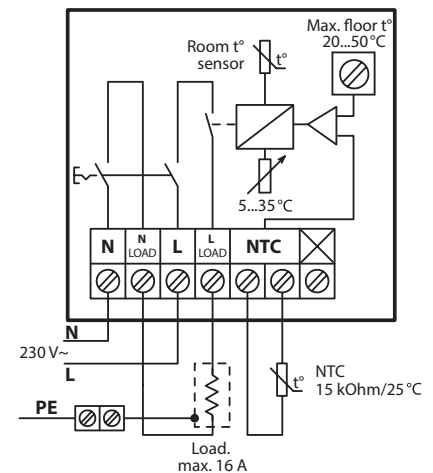
DEVireg™ 530



DEVireg™ 531



DEVireg™ 532





## DEVIreg™ Touch

The **DEVIreg™ Touch** is an intuitive programmable timer thermostat used for controlling electrical floor heating elements. The thermostat is designed for fixed installation only and due to the special designed 2-part construction it fits a wide range of frames and sensors.

The **DEVIreg™ Touch** is fast and intuitive to setup using the built-in wizard. It has an energy-saving programme – including an optimum start/end control ensuring the desired temperature at the correct time and thereby reducing the heating costs.

### Benefits:

- Big 2" touch screen
- Built-in setup wizard
- Easy and intuitive functionalities
- Adaptive PWM function
- Fits several single and multiple frames
- Fits several competitor NTC sensors
- Optional code setup
- Easy online troubleshooting

### Standard compliance:

- EN/IEC 60730-1 (general)
- EN/IEC 60730-2-9 (thermostat)

### Approvals:



Type	Value
Operation voltage	220 V- 240V~ 50/60 Hz
Standby power consumption	max. 0.40 W
Relay:	
Resistive load	16A / 3680W @ 230V
Inductive load	Cos Φ = 0.3 max. 1A
Sensing unit	NTC 15 kΩ @ 25°C, 3 m. (default), NTC 6.8 kΩ @ 25°C, NTC 10 kΩ @ 25°C, NTC 12 kΩ @ 25°C, NTC 33 kΩ @ 25°C, NTC 47 kΩ @ 25°C
Regulation	PWM - Pulse Width Modulation
Ambient temperature	0°C. to 30°C.
Frost protection	5°C. to 9°C. (default 5°C. )
Floor temperature limit	Max. 20°C. to 35°C. (45°C.) Min. 10°C. to 35°C. (45°C.)
Temperature range	5°C. to 35°C. (room) 5°C. to 45°C. (floor)
Storage temperature	-20°C. to 65°C.
Cable specification max.	1 x 4 mm <sup>2</sup> or 2 x 2.5 mm <sup>2</sup>
Ball pressure test temperature	75°C.
Pollution degree	2 (domestic use)
Controller type	1 C
Software class	A
IP class	21
Protection class	Class II - <input type="checkbox"/>
Dimensions (H/W/D)	85 mm x 85 mm x 20-24 mm (in-wall depth: 22 mm)
Weight	115 g

### Types

Item no.	Product name	Type	Language	EAN no.
140F1065	<b>DEVIreg™ Touch - Pure White</b>	Frameless RAL 9010	1	5703466215142
140F1064	<b>DEVIreg™ Touch - Pure White</b>	Design Frame RAL 9010	1	5703466215135
140F1068	<b>DEVIreg™ Touch - Pure White</b>	Design Frame RAL 9010	2	5703466225592
140F1071	<b>DEVIreg™ Touch - Polar White</b>	Design Frame RAL 9016	1	5703466225615
140F1069	<b>DEVIreg™ Touch - Pure Black</b>	Design Frame RAL 9005	1	5703466225608
140F1078	<b>DEVIreg™ Touch - Ivory</b>	Design Frame RAL 1013	1	5703466235492

1 - Contains languages: Bulgarian, Czech, Danish, English, Estonian, Finnish, French, German, Latvian, Lithuanian, Norwegian, Polish, Romanian, Russian, Slovenian, Slovak, Swedish, Ukrainian.

2 - Contains languages: Chinese, Croatian, Dutch, English, Hungarian, Italian, Portuguese, Serbian, Spanish, Turkish.



## DEVIreg™ Smart

The DEVIreg™ Smart is an intuitive programmable timer thermostat to be connected to WIFI and DEVIsmart™ App controllable from anywhere, at any time. The thermostat is primarily used for controlling electrical floor heating elements. The thermostat is designed for fixed installation only and due to the special designed 2-part construction it fits a wide range of frames and sensors.

The DEVIreg™ Smart is fast and intuitive to setup using the App wizard. It has an open window detector and energy-saving program including an optimum start/end control ensuring the desired temperature at the correct time and thereby reducing the heating costs.

### Benefits:

- WIFI Connectivity
- Remote Controllable via DEVIsmart™ App
- A single DEVIreg™ Smart thermostat can be paired with up to 10 mobile devices using DEVIsmart™ App
- Can communicate with two mobile devices simultaneously
- With one DEVIsmart™ App you are able to control as many locations with as many DEVIreg™ Smart thermostats as you need
- Adaptive PWM function
- Fits many foreign single and multiple frames
- Fits many foreign competitive NTC sensors

### Standard compliance:

- EN/IEC 60730-1 (general)
- EN/IEC 60730-2-9 (thermostat)
- EN 300 328 (WIFI)

### Approvals:



Type	Value
Operation voltage	220 V- 240V~ 50/60 Hz
Standby power consumption	max. 0,40 W
Relay:	
Resistive load	16A / 3680W @ 230V
Inductive load	1A (Cos Φ = 0,3)
Sensing unit	NTC 15 kΩ @ 25°C, 3 m. (default), NTC 6,8 kΩ @ 25°C, NTC 10 kΩ @ 25°C, NTC 12 kΩ @ 25°C, NTC 33 kΩ @ 25°C, NTC 47 kΩ @ 25°C
Regulation	PWM - Pulse Width Modulation
Ambient temperature	0°C to 30°C
Frost protection	5°C to 9°C (default 5°C)
Floor temperature limit	Max. 20°C to 35°C (45°C) Min. 10°C to 35°C (45°C)
Temperature range	5°C to 35°C (room) 5°C to 45°C (floor)
Storage temperature	-20°C to 65°C
Cable specification max.	1 x 4 mm <sup>2</sup>
Ball pressure test temperature	75°C
Pollution degree	2 (domestic use)
Controller type	1 C
Software class	A
IP class	21
Protection class	Class II - <input type="checkbox"/>
Dimensions (H/W/D)	85 mm x 85 mm x 20-24 mm (in-wall depth: 22 mm)
Weight	127 g
DEVIsmart™ App	1 App can control up to 100 thermostats 10 Apps can be connected to 1 thermostat 2 Apps can control one thermostat at the same time

### Types

Item no.	Product name	Type	EAN no.
140F1140	DEVIreg™ Smart - Polar White	RAL 9016	5703466239629
140F1141	DEVIreg™ Smart - Pure White	RAL 9010	5703466239636
140F1142	DEVIreg™ Smart - Ivory	RAL 1013	5703466239643
140F1143	DEVIreg™ Smart - Pure Black	RAL 9005	5703466239650



Try it!  
Download the  
DEVIsmart™ App





## DEVIlink™ CC

**DEVIlink™ CC** – Central Controller, is the perfect solution for the regulation of electric floor heating both for apartments, family houses and multifamily buildings.

DEVIlink™ is Danfoss Link™ App enabled, that offers you the unique possibility to control your electrical heating systems from a distance via an App on your smartphone.

**The DEVIlink™ CC** (Central Controller) is the central brain in the DEVIlink™ system, which includes several wireless DEVIlink™ devices installed in the building. The idea of the DEVIlink™ System is to link together your heating system wirelessly and control it from one central point. The DEVIlink™ CC communicates wirelessly with all other DEVIlink™ units in the installation. A single DEVIlink™ CC can control up to 30 rooms and be connected up to totally 50 devices

### Benefits:

- Central control of the entire house
- Minimize energy consumption
- Vacation mode
- Controlling of ON/OFF devices
- Weekly heating schedule
- WIFI connectivity Enabled for Danfoss Link™ App

### Standard compliance:

- The DEVIlink™ CC is in compliance with EN 60730 and EN 300 220-2

### Certificates:



Type	Value
Operation voltage	15 V DC ±10%
Standby power consumption	Max. 2 W
Screen	3.5" TFT colour w. touch
Ambient temperature	-10 to +40°C
Storage temperature	-20 to +65°C
Ball pressure test temperature	75°C
Pollution degree	2 (domestic use)
Transmission frequency	868.42 MHz
Transmission range	Up to 30 m
Max. repeaters in a chain	3
Transmission power	Max. 1 mW
Software class	A
IP class	21
Dimensions	125 x 107 x 25 mm
Weight	179 g

### Types

Item no.	Product name	Type	EAN no.
140F1135	<b>Devilink™ CC</b>	Permanent Installation	5703466238967

### Accessories

Item no.	Product name	Type	EAN no.
014G0262	<b>BSU DEVIlink™ CC</b>	Battery Supply Unit	5702420110653

### DEVIlink™ system units

Item no.	Product name	Type	EAN no.
140F1136	<b>Devilink™ RS</b>	Room sensor - Wireless - Battery Supply	5703466238974
140F1137	<b>Devilink™ FT</b>	Floor Thermostat with ELKO frame	5703466238981
140F1138	<b>Devilink™ RU</b>	Repeater Unit	5703466238998

See how simple it is to setup Wi-Fi on your DEVIlink system and how to pair it with the Danfoss Link™ App.



**Try it!**  
Download the  
Danfoss Link™ App







## DEVIlink™ FT

DEVIlink™ FT – Floor Thermostat with sensor to control electric floor heating. Optionally also able to function as ON/OFF devices switching. The DEVIlink™ FT is a device for switching heating elements and other electrically equipment ON/OFF. All communication in the DEVIlink™ System is wireless and of this reason very easy to install. When using DEVIlink™ FT as heating control, it is recommended to install the device with a floor sensor to ensure the required comfort and convenience. Optionally the DEVIlink™ FT is also able to be used as ON/OFF switch for other electrical equipment e.g. as electrical radiators, lights or other switching units.

### Benefits:

- Heating regulation
- ON/OFF switching
- Wireless connected to DEVIlink™ CC
- Daily/Weekly overview
- Daily/Weekly schedule
- Minimize energy consumption

### Standard compliance:

- EN 60730
- EN 300 220-2

### Certificates:



Type	Value
Operation voltage	180-250 V AC, 50 Hz
Standby power consumption	< 1W
Resistive load	230 V ~ 15 A/3450 W
Inductive load	Cos Φ = 0,3 max. 4 A
Regulation	PWM – Pulse Wide Modulation
Sensing unit	NTC 15 kOhm AT 25°C
Sensing values	
• 0°C	42 kOhm
• 20°C	18 kOhm
• 50°C	6 kOhm
Ambient temperature	-10° to +30°C
Sensor failure monitoring	The thermostat has a built-in monitoring circuit, which will switch off the heating if the sensor is disconnected or short circuited
Transmission frequency	868,42 MHz
Transmission range in normal buildings	Up to 30 m
Transmission power	Max. 1 mW
Relay switching	1 pole
IP class	31
Dimension (H/W/D)	85 mm × 85 mm × 21 mm

### Types

Item no.	Product name	Type	EAN no.
140F1137	<b>Devilink™ FT</b>	Floor Thermostat with ELKO frame	5703466238981

### DEVIlink™ system units

Item no.	Product name	Type	EAN no.
140F1135	<b>Devilink™ CC</b>	Permanent Installation	5703466238967
140F1136	<b>Devilink™ RS</b>	Room sensor - Wireless - Battery Supply	5703466238974
140F1138	<b>Devilink™ RU</b>	Repeater Unit	5703466238998

IMPORTANT: When the thermostat is used to control a floor heating element in connection with a wooden floor or similar material, always use a floor sensor and never set the maximum floor temperature to more than 35°C.



## DEVIlink™ RS

DEVIlink™ RS is a Room Sensor for precise measuring and setting of room temperature values, that shall be installed together with a DEVIlink™ FT to secure the required comfort and convenience. It is a battery operated device for measuring room temperature. High flexibility through free positioning

### Benefits:

- Heating regulation
- Wireless connected to DEVIlink™ CC
- Actually temperature view
- Adjustable
- Daily overview
- Weekly schedule
- Minimize energy consumption

### Standard compliance:

- EN 60730
- EN 300 220-25

### Certificates:



Type	Value
Battery	Alkaline 2 × AA, 1,5 V
Battery Lifetime	Up to 4-5 years
Backlight	Green LED
Ambient temperature	0° to +40°C
Battery monitoring	The sensor has a built-in monitoring circuit, which will detect low or critical battery level.
Transmission frequency	868,42 MHz
Transmission range in normal buildings	Up to 30 m
Transmission power	Max. 1 mW
IP class	21
Dimension (H/W/D)	81 mm × 66 mm x 21 mm

### Types

Item no.	Product name	Type	EAN no.
140F1136	<b>Devilink™ RS</b>	Room sensor - Wireless - Battery Supply	5703466238974

### DEVIlink™ system units

Item no.	Product name	Type	EAN no.
140F1135	<b>Devilink™ CC</b>	Permanent Installation	5703466238974
140F1137	<b>Devilink™ FT</b>	Floor Thermostat with ELKO frame	5703466238981
140F1138	<b>Devilink™ RU</b>	Repeater Unit	5703466238998


Do not install floor heating systems without a floor sensor when the heating element is installed on or beneath wooden surfaces and other surfaces sensitive to temperature!



## DEVIlink™ RU

DEVIlink™ RU – Repeater Unit is used for extending the wireless transmission range between DEVIlink™ CC Controller, DEVIlink™ RS Room thermostats, DEVIlink FT and other devices in DEVIlink™ system. This may be necessary because of a weak radio link caused by widely spread installations, large distances, metal objects, special structural conditions, etc.

The system supports up to three Repeater Units installed in a chain between the relevant DEVIlink™ Room thermostat and the DEVIlink™ CC Controller. More parallel chains of Repeater Units from a Controller are possible.

<p><b>Benefits:</b></p> <ul style="list-style-type: none"> <li>• Transmitting signals</li> <li>• Wireless connected to DEVIlink CC</li> <li>• Extending the wireless transmission range</li> </ul> <p><b>Standard compliance:</b></p> <ul style="list-style-type: none"> <li>• EN60730</li> </ul> <p><b>Certificates:</b></p> 	Type	Value	
	Operating voltage	180-250VAC, 50 Hz	
	Transmission frequency	868,42 MHz	
	Transmission range in normal buildings	Up to 30 m	
	Transmission power	<1 mW	
	Protection class	IP 21	
	Length of mains cable	3 m	
	Dimension (H/W/D)	81 mm x 66 mm x 21 mm	

### Types

Item no.	Product name	Type	EAN no.
140F1138	<b>Devilink™ RU</b>	Repeater Unit	5703466238998

### DEVIlink™ system units

Item no.	Product name	Type	EAN no.
140F1135	<b>Devilink™ CC</b>	Permanent Installation	5703466238967
140F1137	<b>Devilink™ FT</b>	Floor Thermostat with ELKO frame	5703466238981
140F1136	<b>Devilink™ RS</b>	Room sensor - Wireless - Battery Supply	5703466238974

Do not install floor heating systems without a floor sensor when the heating element is installed on or beneath wooden surfaces and other surfaces sensitive to temperature!



## DEVIreg™ 233

The **DEVIreg™ 233** is an electronic thermostat designed to be flush-mounted or wall-mounted in an installation box from the LK FUGA series. The thermostat is provided with a 1- pole switch and a floor sensor (wire) to measure and control the desired floor temperature. Alternatively an external room sensor can be used.

The thermostat has a button to adjust the temperature setting with a scale from (0) 1 to 6.

### Benefits:

- Fits LK FUGA frames
- Sensor failure monitoring
- LED indication
- Room and floor sensors
- Frost protection

### Standard compliance:

- EN/IEC 60730-1 (general)
- EN/IEC 60730-2-9 (thermostat)

### Approvals:



Type	Value
Operation voltage	220 V- 240V~ 50/60 Hz
Standby power consumption	Max. 1.7 W
Relay:	
Resistive load	Max 13A / 2990W @ 230V
Inductive load	Cos Φ = 0.3 max. 1A
Sensing unit	NTC 15 kOhm at 25°C
Hysteresis	± 0.4°C
Ambient temperature	0°C. to +40°C
Frost protection	5°C - ❄️
Temperature range	5°C to 45°C
Cable specification max	1 x 4 mm <sup>2</sup> or 2 x 2,5 mm <sup>2</sup>
Ball pressure test temperature	75°C
Pollution degree	2 (domestic use)
Controller type	1 C
Storage temperature	-20°C to +65°C
IP class	41 (vertical installation)
Protection class	Class II - <input type="checkbox"/>
Dimensions (H/W/D)	71 mm x 44 mm x 31 mm (in-wall depth: 20 mm)
Weight	77 g

### Types

Item no.	Product name	Type	EAN no.
140F1020	<b>DEVIreg™ 233</b>	With floor sensor	5703466208984
19112321	<b>DEVIreg™ 233</b>	With room sensor, white front button	5703466168981

